

ST SUPER THERMOCOUPLES

MODEL SST-717

***GENERAL SPECIFICATION**

- PROBE TYPE SUPER SHEATHED TYPE
- TERMINAL HEAD WEATHER PROOF TYPE
- MATERIAL ALUMINUM ALLOY
- SURFACE COLOR METALLIC SILVER
- TERMINAL BLOCK CERAMIC MATERIAL
- MOUNTING TYPE NIPPLE & UNION

***ORDER SPECIFICATION**

■ ELEMENT

① CALIBRATION

1. N 2. K 3. E

② GRADE

1. CLASS 1 2. CLASS 2
 3. CLASS 3 4. OTHER []

③ NUMBER OF ELEMENT WIRE

1. 2-WIRE [SINGLE] 2. 4-WIRE [DUAL]

④ TYPE OF HOT JUNCTION

1. GROUNDED TYPE
 2. UNGROUNDED TYPE
 3. EXPOSED TYPE

■ SHEATHED TUBE

⑤ MATERIAL

1. SUPPER ALLOY 2. OTHER []

⑥ OUT DIA (φD)

1. 0.25 2. 0.5 3. 1.0 4. 1.6
 5. 2.3 6. 3.2 7. 4.8 8. 6.4
 9. 8.0 10. OTHER []

⑦ LENGTH (L)

- _____ mm

■ MOUNTING

⑧ THREAD SIZE

1. PT 1/2 2. PT 3/4 3. PF 1/2
 4. PF 3/4 5. OTHER []

⑨ THREAD MATERIAL

1. SUS304 2. SUS316 3. OTHER []

⑩ NIPPLE OUT DIA (φDn)

1. 15 2. 17 3. 22 4. OTHER []

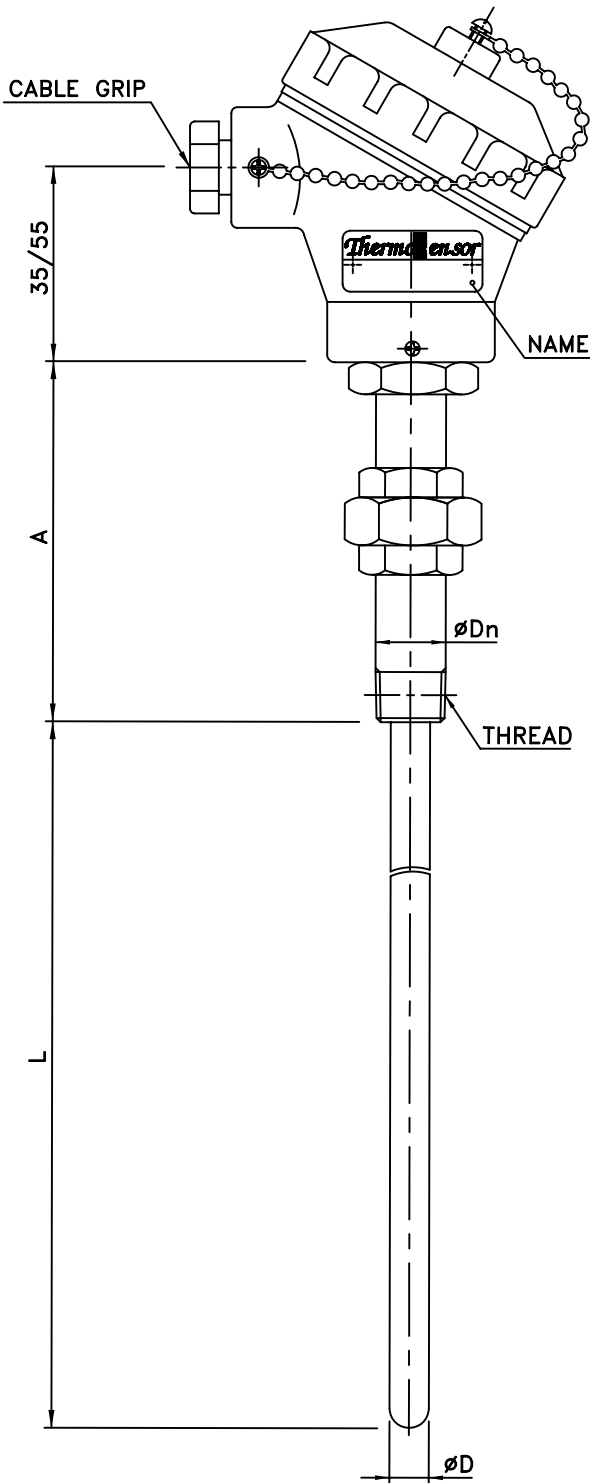
⑪ NIPPLE LENGTH (A)mm

1. 100 2. 150 3. OTHER []

■ SPECIAL REQUIREMENT

A
B
C
D
E
F

A
B
C
D
E
F



5					CUSTOMER	Design	Scale	N.S
4						Checked	Wt Est - Kg	
3						Approved	Date	
2						TITLE		
1						MODEL		
Item	Part Name	Material	Q'ty	Remark				

